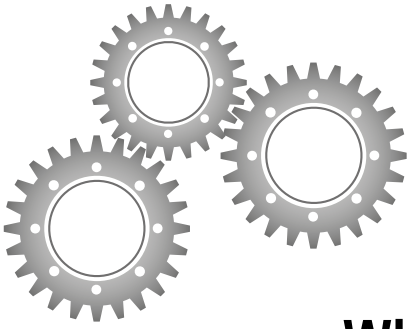


Product Overview

Hannemann

Engineering^{ApS}

Keep things moving!



Why Hannemann Engineering?

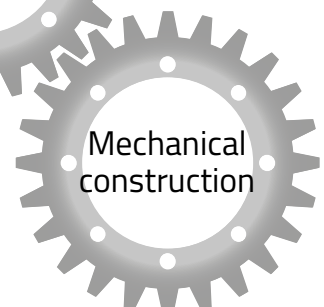
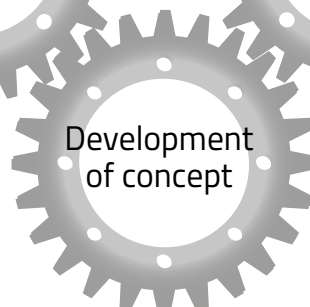
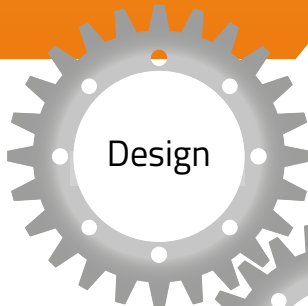
- Many years of experience
- Advice and counseling
- Good quality
- On time delivery
- Workshop
- Cost-conscious in choice of materials
- Project follow-up
- Ensures success for all costumers

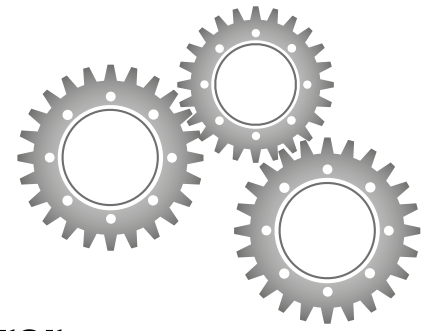
?



Sales

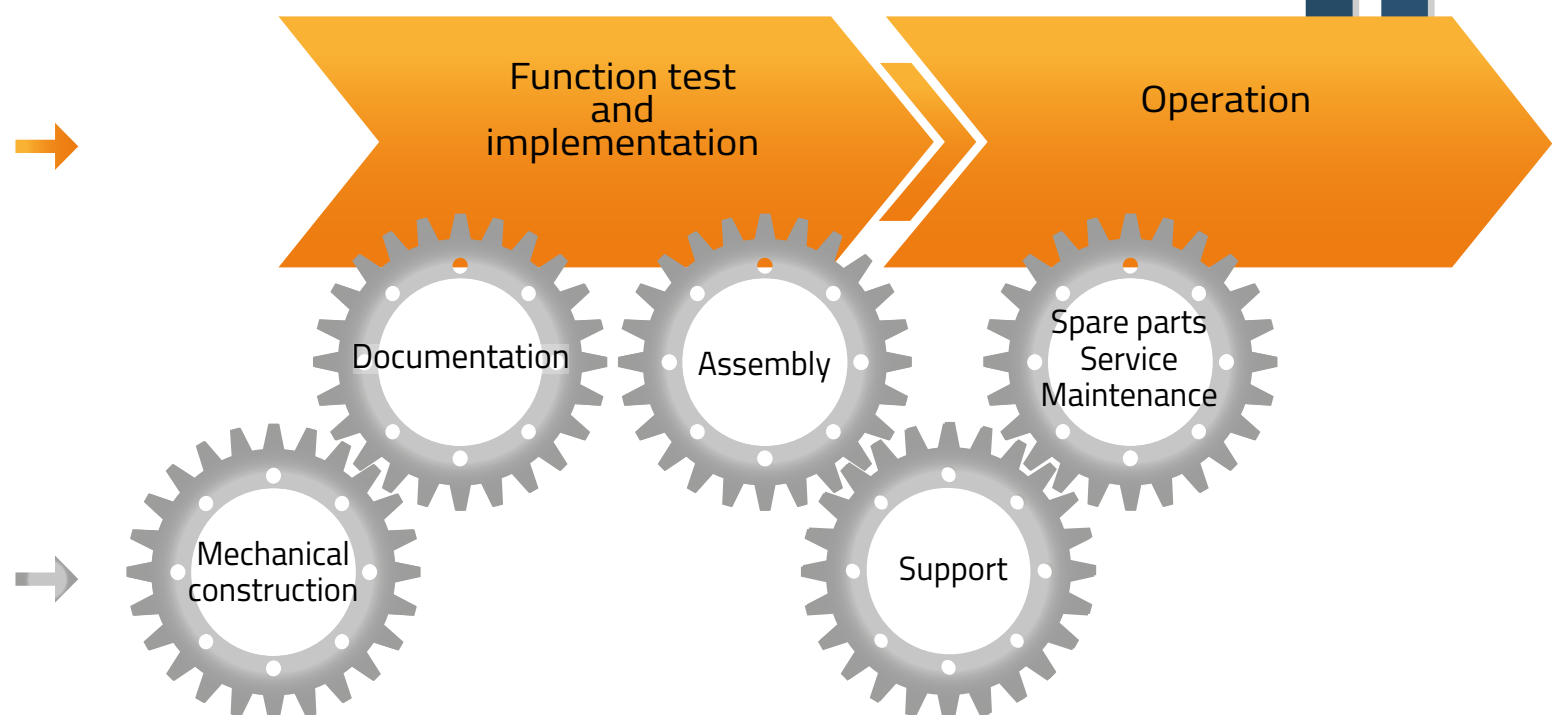
Project organization





Original Equipment Manufacturer

- High level of co-operation
- Concept implementation
- Development and integration
- Optimization of the value chain
- Guidance and follow-up
- Service and maintenance



Special Constructions

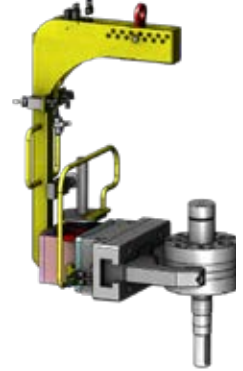
Hannemann Engineering has a long experience and expertise in constructing customized solutions, which can optimize the entire value chain in the best possible way.

- Mechanical assembly equipment
- Customer-specific utilities
- Test equipment
- Ergonomic lifting equipment
- 3D printing up to 223x223x205mm in PLA

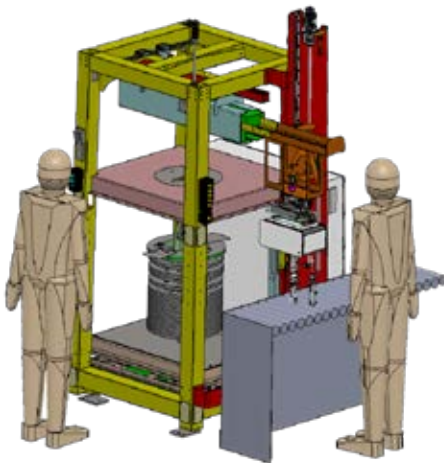
Testing station



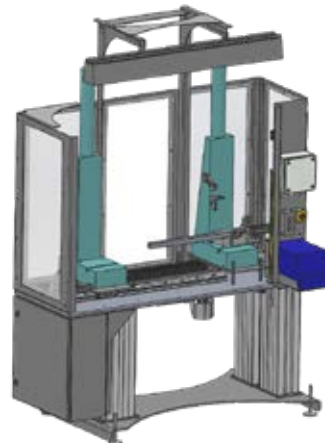
Lifting yokes



Calibration tester



Assembly station



Robotic Equipment

We have participated in several robot projects and developed utilities for several robot manufacturers.

- Grippers and other utility equipment for robot
- System solutions for robots
- 3D printed gripper fingers

Vacuum grippers



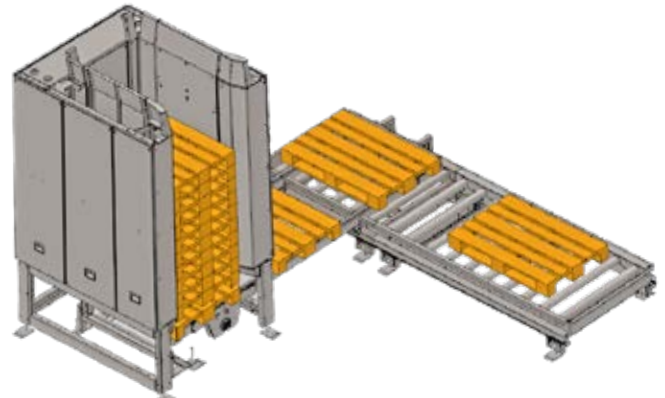
Mechanical Handling Solutions

The transport conveyors are built in modular sections which are easily adapted to every customer's needs. The tracks are designed with a focus on flexibility, quality and competitive prices.

Pallet Magazines

For stacking or destacking pallets

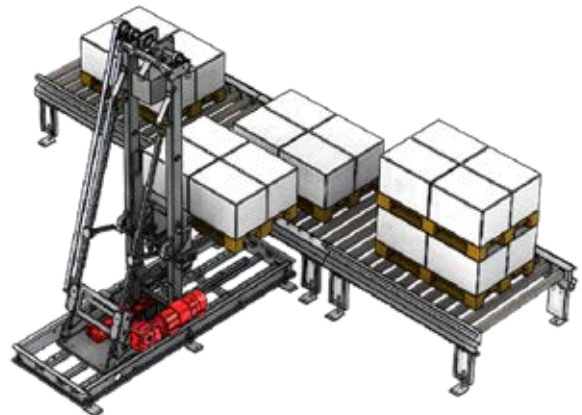
- 100% electric
- Very energy efficient
- Almost soundless
- Low operating costs
- Easy conversion between euro- and industrial pallets
- Available for multiple pallet type
- Up to 500kg payload
- Minimal maintenance



Stackers

Used for stacking or destacking pallets or different types of products

- Supplied in electrical or hydraulic versions
- Up to 2500 kg payload
- Easy conversion between pallets and other product types
- Minimal maintenance



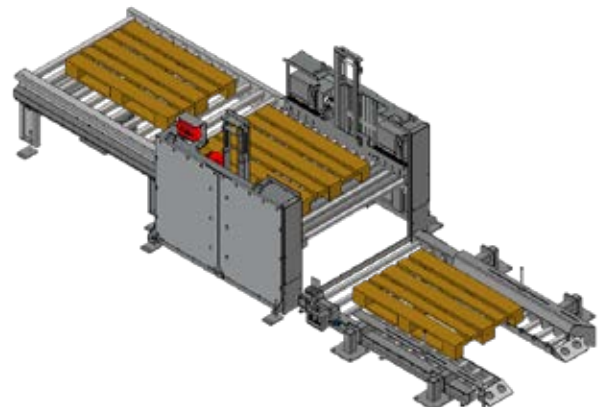
Loading- and Lift Conveyors

Used for manual loading of pallets by truck or stacker

- Lifting height from 80 to 800 mm
- Used for changing transportation height

Can be used for euro- and industrial pallet

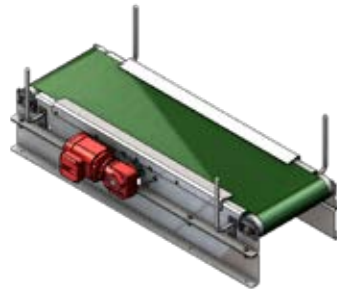
- Lifting height from 80 to 800 mm
- Electrical or hydraulic versions
- Up to 1500 kg payload
- Does not require immersion in floor



Belt Conveyors

Used for handling products with many variations

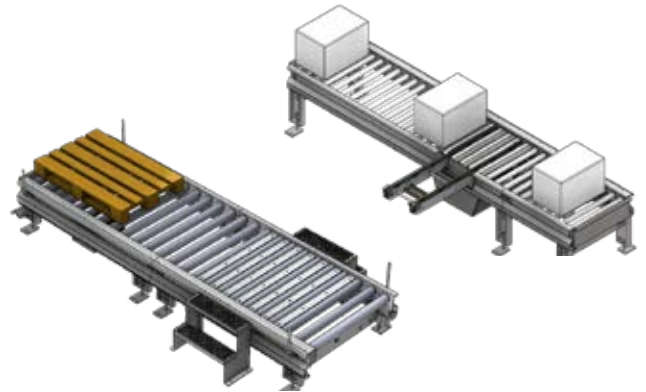
- Belt types are chosen considering the function
- Supplied with gear- or drum motor



Roller Conveyors – Driven

Used for handling and accumulating pallets or products

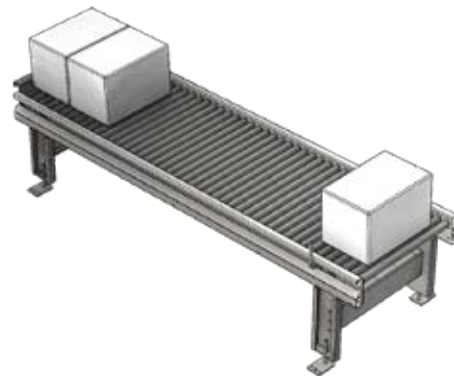
- Modular sections
- Heavy Duty versions up to 15T
- Lightweight versions
- Many different types of rolls
- Numerous specialized options



Roller Conveyors – Undriven

Used for handling and/or accumulation of pallets or products

- Modular sections
- Adjustable angle of inclination
- Integrated end-stop
- Available with brakes



Turntables

Used for changing direction for pallets or product

- 100% electric and energy efficient
- Almost soundless
- Low operating costs
- 270 degree swivel function

Available in the following versions:

- Roller conveyor
- Chain conveyor
- Belt conveyor
- Slat conveyor



Centering Conveyors

Used for centering and/or straightening pallets and products

- Electrical, hydraulic or pneumatic version
- Up to 2500 kg payload



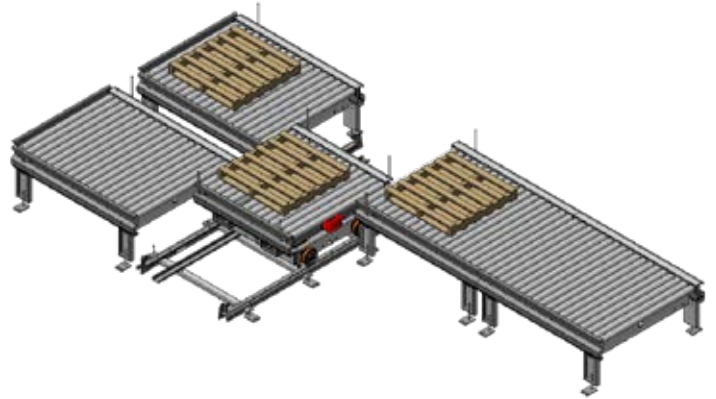
Transfer Trolleys / Shuttle Trolleys

Used for pallets or products switching between multiple production lines

- 100% electric
- Energy efficient
- Almost soundless
- Low operating costs

Available in the following versions:

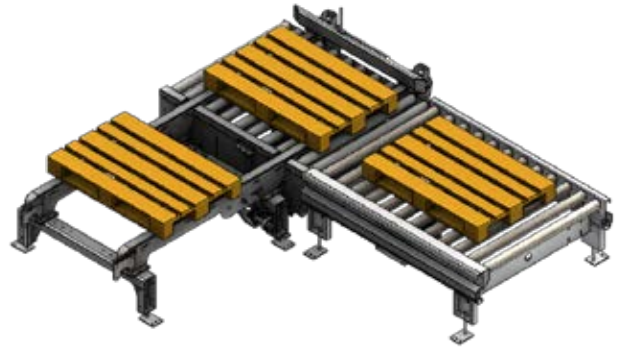
- Roller conveyor
- Chain conveyor
- Belt conveyor
- Slat conveyor



Cross Conveyors

Used for 90-degree direction change of pallets and products

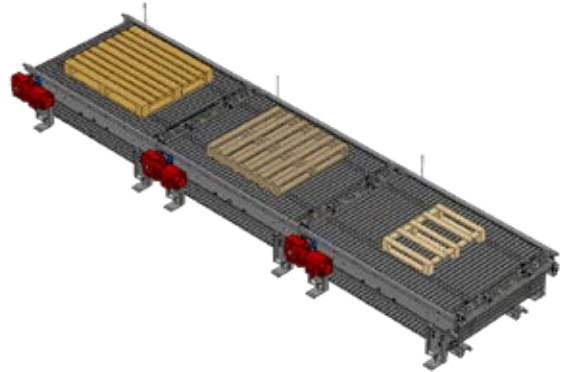
- Often a combination of roller conveyors, chain conveyors and/or belt conveyors
- Available in electric, pneumatic or hydraulic raising and lowering function
- Modular sections



Slat Conveyors

Used for handling pallets or products with wide range of variations

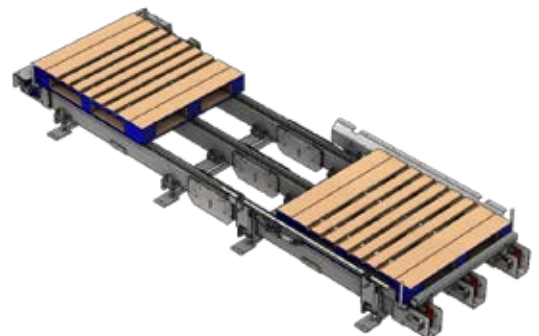
- Can be used for hard industry
- Up to 15000 kg payload
- Made with heavy steel slat chain



Chain Conveyors

Used for handling and/or accumulating pallets or products

- 2 to 5 string
- Up to 15000 kg payload



Company Profile

Hannemann Engineering Aps is a company specializing in the construction of mechanical structures. Since 2007, we have delivered solutions and management systems to companies in Denmark and abroad.

Our employees have multiple key competencies in their field of expertise. This ensures a high degree of flexibility through which we ensure a competitive result with top of the line quality.

Please contact us in order to learn what we can offer your company and how we can optimize your entire value chain to ensure you and your customer's success. Case stories etc. can be found on our website www.hannemann-eng.com.

Contact



Email mail@hannemann-eng.com
Telephone +45 74 43 45 47
Cvr 30511816

